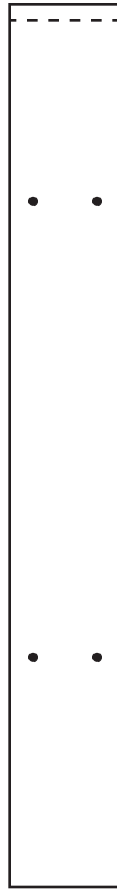


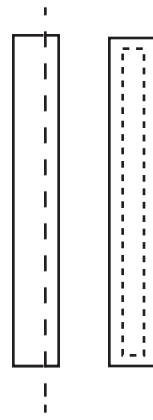
Place marks 1/2 inch in from both edges

A

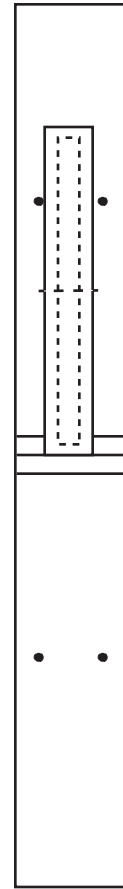


Place marks along both edges of cushion side to indicate corners.

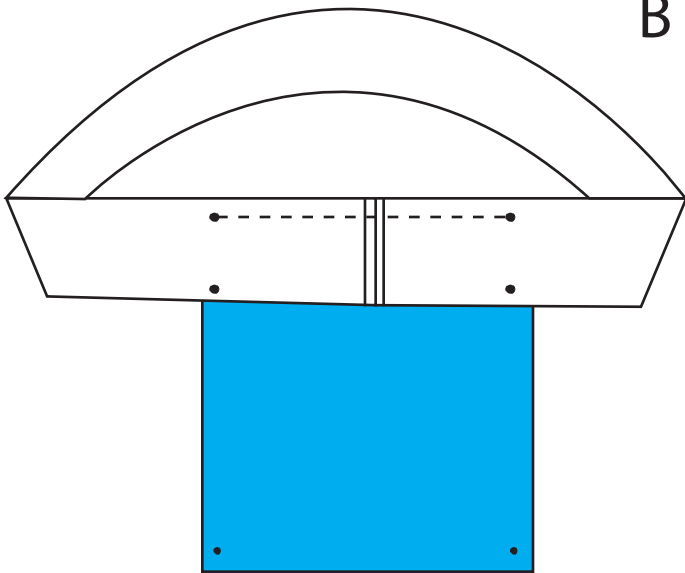
B



C

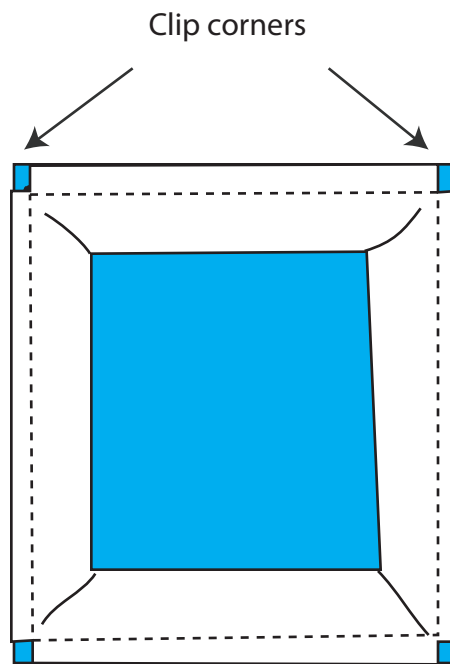


D



Pin cushion side strip to back edge of cushion top and stitch between marks.

E



Stitch to the marks, clip, then repeat stitching to the next corner.

F