

Backyard Cornhole Game^{*} using Poly-Pellets[®] Weighted Stuffing Beads

Cornhole is a lawn game in which players take turns throwing bean bags (originally bags of corn) at a raised platform with a hole in the far end.

Believed to have started on the west side of Cincinnati as a tavern game, Cornhole quickly developed a local following and eventually caught on across the Country.

Cornhole is now a popular tailgating activity at concerts and sporting events, as well as a "must-have" at backyard barbecues.

Join in the fun and make your own Cornhole game. Decorate yours to cheer on your favorite sports team, celebrate a holiday, or to match your backyard patio décor.

Supplies

Two Cornhole board platforms

8 Bags – 4 each of two different colors.

Plenty of friends to play and cheer you on.



**Not for Competition Purposes. Specifications & measurements may vary slightly from ACO Official Cornhole Specifications.*

Building the board

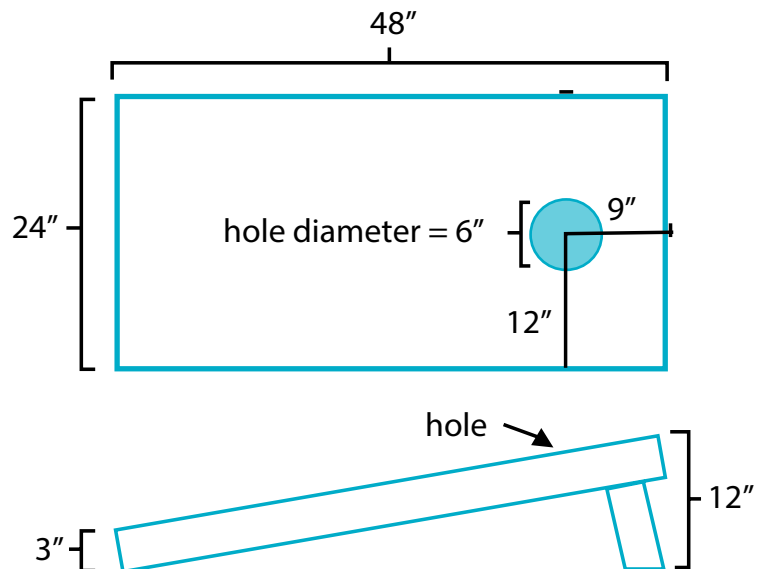
For each board you will need a 48" x 24" piece of cut-able, paint-able material such as MDF board or plywood, for each board. You will also need additional 3" wide lengths of same material to form legs and sides of the boards.

Cut a 6" hole in the center of the board, 9" from the top and 12" from each side.

Build sides and legs out of the same material. Attach and position so that the front of the board is 3" from the ground, and back of the board is about 12" from the ground.

Use a high gloss latex paint or varnish so that surface is slick enough for bags to slide when thrown, but not so slippery that bags slide off board.

Decorate as you choose.



Cornhole

Making Bags

You will need 8 Cornhole bags in total. They should be made from a durable fabric.

To make two sets of 4 bags, (one set for each team), you will need: eight 7" x 7" squares in each of two colors, Poly-Pellets® and general sewing supplies.

For each bag sew two 7" x 7" squares together with a 1/2" seam allowance (we recommend double seems for durability) on three sides, and 1/2 way up on the fourth. Flip bag inside out.

Fill each bag at opening with 15-16 ounces of Poly-Pellets® Weighted Stuffing Beads. (Finished Cornhole bags should weigh 16 oz. The amount of pellets you will need will vary depending upon weight of your fabric.)

Hand sew the opening of each bag.

You will need approximately 8 lbs. of Poly-Pellets® for your backyard Cornhole game.

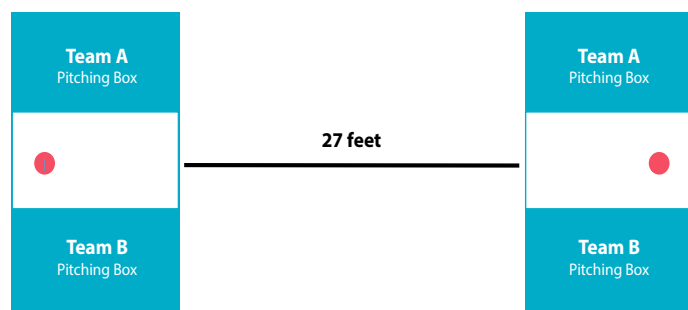


Cornhole Court Layout

Position boards 27' apart (front to front)

Pitchers Boxes: the pitchers box is a 4' x 3' area at each end of the court and on both sides of each board; there are four boxes total.

Cornhole Foul Lines: The front edge of the Cornhole board is considered the foul line.



Playing the Game

Players pitch bags (one player at a time) alternating until each player has pitched all four of their bags.

Players must pitch all of their bags from their designated pitchers box. Bags must always be pitched under-hand.

One foot must remain completely in the pitcher's box at the time of releasing the bag. Players feet must not cross the foul line before bag lands.

Score is tallied at the end of each round. Player/team with highest score will go first in next round.

Scoring

A bag in the hole scores 3 points, while one on the platform scores 1 point.

The game continues until a team or player reaches a score of 21.

We would love to see your final project!

Share photos of your completed Cornhole game with us by sending them to consumer@fairfieldworld.com or share them with us on our social media.



FairfieldWorld.com

POLY-FIL® | PILLOWS | BATTING | INTERFACING | FABRICS | FOAM